

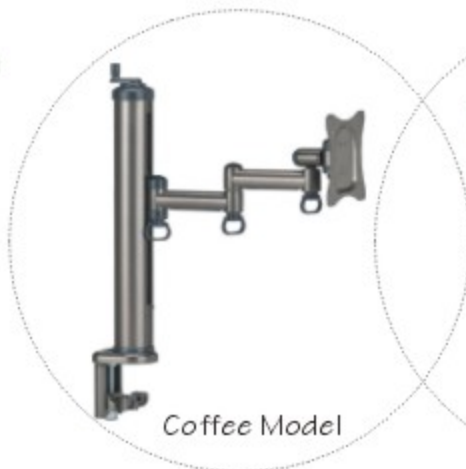
Space Saver Lcd Monitor Arm

TKLA-1022

SPECIFICATION

Applicable Display	Monitor with VESA Standard Holes
VESA Standard	MIS-D
Max. Display Weight	10kg
Mounting Methods	Desk Clamp Mount Through Desk Mount
Clamp Mount (Fits)	1 ~ 6cm (2 3/8") Thick
Material Construction	Aluminum
Surface Finish	Liquid Coating
Standard Color	Silver & Black & Coffee & White
Cable Manager	Yes
Arm Adjustments	Move Up & Down 20 cm Whole Arm Swing 180° Fold the Arm (Depth) 17 cm
Display Adjustments	Tilting 60°/45° Left & Right 90°/90° Rotation 360°
Net Weight	Standard 2.14kg
Gross Weight	Standard 2.42kg
Packing Dimensions	L48.5cm X W18.5cm X H7 cm

Specifications are subject to change without notice for further improvement.



Coffee Model



Black Model



Features

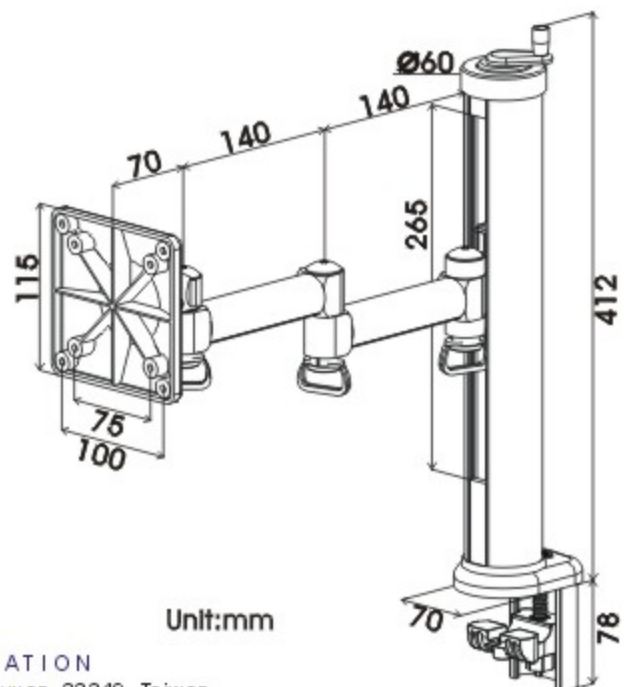
Space Saver has foldable arm articulating flat panel mount.

Three-joints design is easy to adjust the monitor in any direction or position.

Rigid structure and staid appearance comforts the users and the adjustable capability offers the users different view angles.

Users are comfort able to watch the monitor no matter sitting or standing.

Easysteps installation fits in work place and home.



Unit:mm



FOGIM ENTERPRISE CORPORATION

No. 2-3, Chajuan Rd., Gueishan Town, Taoyuan, 33349, Taiwan

Tel: +886-3-350-1837 Fax: +886-3-350-3730

Website: www.fogim-ent.com

E-mail: fo.gim@msa.hinet.net; info@fogim-ent.com