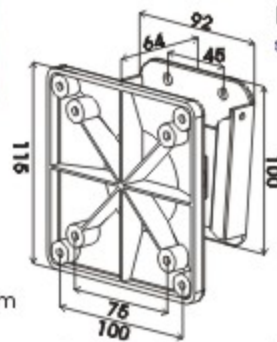


Wall Mounting Series ~ ~ Screen Player A

TKLA-3002



Unit:mm

SPECIFICATION

| | |
|--------------------------|----------------------------------|
| Applicable Display | Monitor with VESA Standard Holes |
| VESA Standard | MIS-D |
| Max. Display Weight | 15kg |
| Mounting Methods | Wall Mounting |
| Material Construction | Mount: Steel; Vesa Bracket: ABS |
| Surface Finish | Liquid Coating |
| Standard Color for Mount | Black |
| Cable Manager | Yes |
| Display Adjustments | Tilting Angle Up45° / Down45° |
| Net Weight | 0.47kg |
| Gross Weight | 0.55kg |
| Packing Dimensions | L13.5cm X W12.5cm X H7.4 cm |

Specifications are subject to change without notice for further improvement.

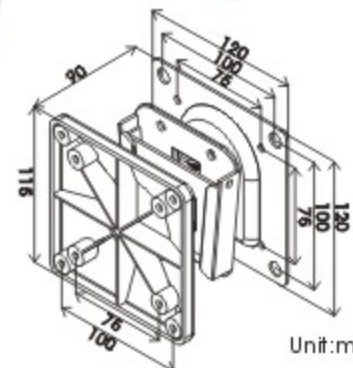
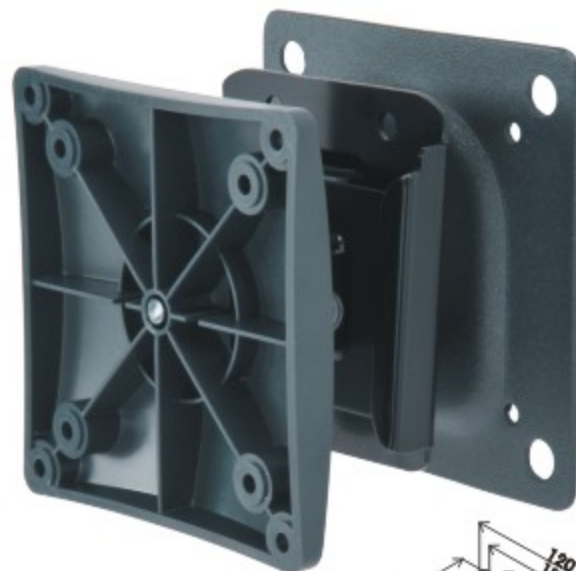
Wall Mounting Series ~ ~ Screen Player B

TKLA-3012

SPECIFICATION

| | |
|--------------------------|---|
| Applicable Display | Monitor with VESA Standard Holes |
| VESA Standard | MIS-D |
| Max. Display Weight | 15kg |
| Mounting Methods | Wall Mounting |
| Material Construction | Mount: Steel; Vesa Bracket: ABS |
| Surface Finish | Liquid Coating |
| Standard Color for Mount | Black |
| Cable Manager | Yes |
| Display Adjustments | Up & Down 60° / 45° Left & Right 35° / 35° |
| Net Weight | 0.71kg |
| Gross Weight | 0.82kg |
| Packing Dimensions | L14.5cm X W13.5cm X H9.5 cm |

Specifications are subject to change without notice for further improvement.



Unit:mm



FOGIM ENTERPRISE CORPORATION
No. 2-3, Chajuan Rd., Gueishan Town, Taoyuan, 33349, Taiwan
Tel: +886-3-350-1837 Fax: +886-3-350-3730
Website: www.fogim-ent.com
E-mail: fo.gim@msa.hinet.net; info@fogim-ent.com