

Space Generator Lcd Monitor Arm

TKLA-6032



SPECIFICATION

Applicable Display	Monitor with VESA Standard Holes
VESA Standard	MIS-D
Max. Display Weight	10kg
Mounting Methods	Desk Clamp Mount Through Desk Mount
Clamp Mount (Fits)	1~6 cm(2 3/8") Thick
Material Construction	Base & Arm: Aluminum; Prop: Steel
Surface Finish	Liquid Coating
Standard Color	Silver & Black
Cable Manager	Yes
Arm Adjustments	Vertical Range 34 cm Horizontal Range 33 cm Fold the Arm (Depth) 10.5 cm
Display Adjustments	Tilting Angle Up 60° / Down 45° Left & Right 90° / 90° Clock Rotation 360°
Net Weight	2.8 kg
Gross Weight	3.15 kg
Packing Dimensions	L48.5 cm X W18.5 cm X H7.0 cm

Specifications are subject to change without notice for further improvement.



Black Model



Features

Space Generator has foldable arm articulating flat panel mount.

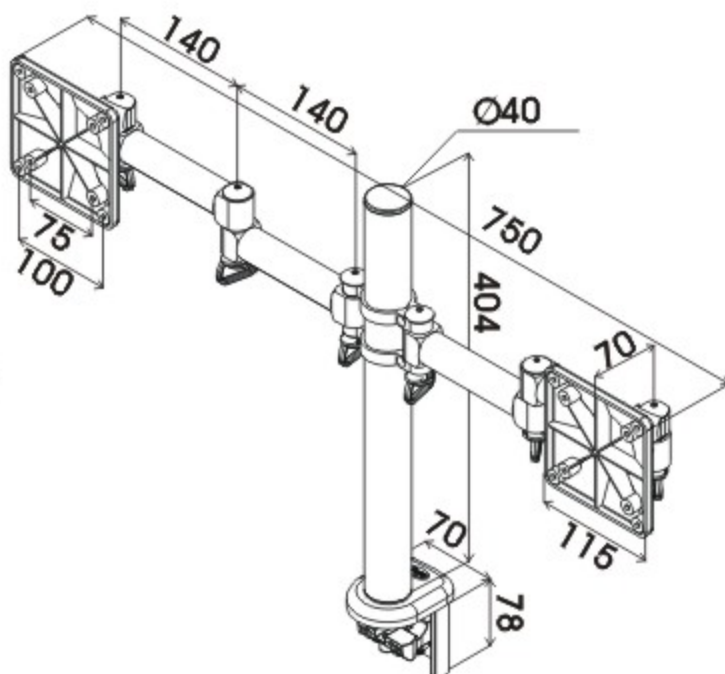
Apply to two monitors and offer mobility and flexibility.

Three-joints design is easy to move the monitor in any direction or position.

Users can easily move up and down the monitor by using one simple tool to screw the nut on the arm.

Users are comfortable to watch the monitor no matter sitting or standing.

Easy steps installation fits in work place and home.



Unit: mm



FOGIM ENTERPRISE CORPORATION
No. 2-3, Chajuan Rd., Gueishan Town, Taoyuan, 33349, Taiwan
Tel: +886-3-350-1837 Fax: +886-3-350-3730
Website: www.fogim-ent.com
E-mail: fo.gim@msa.hinet.net; info@fogim-ent.com